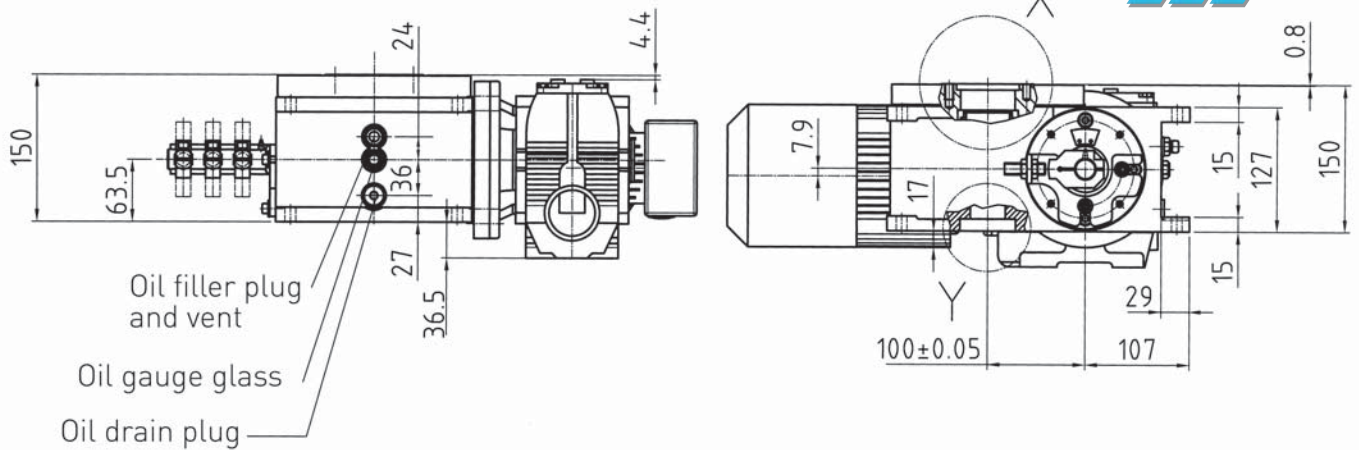
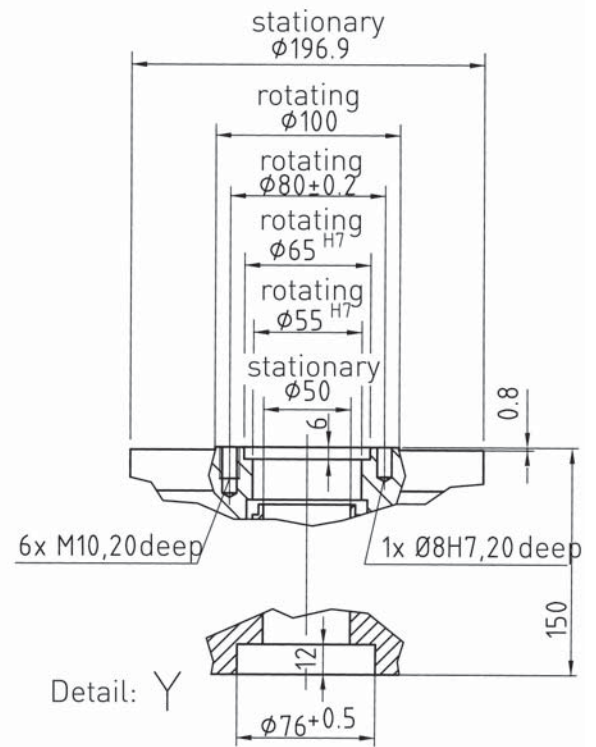
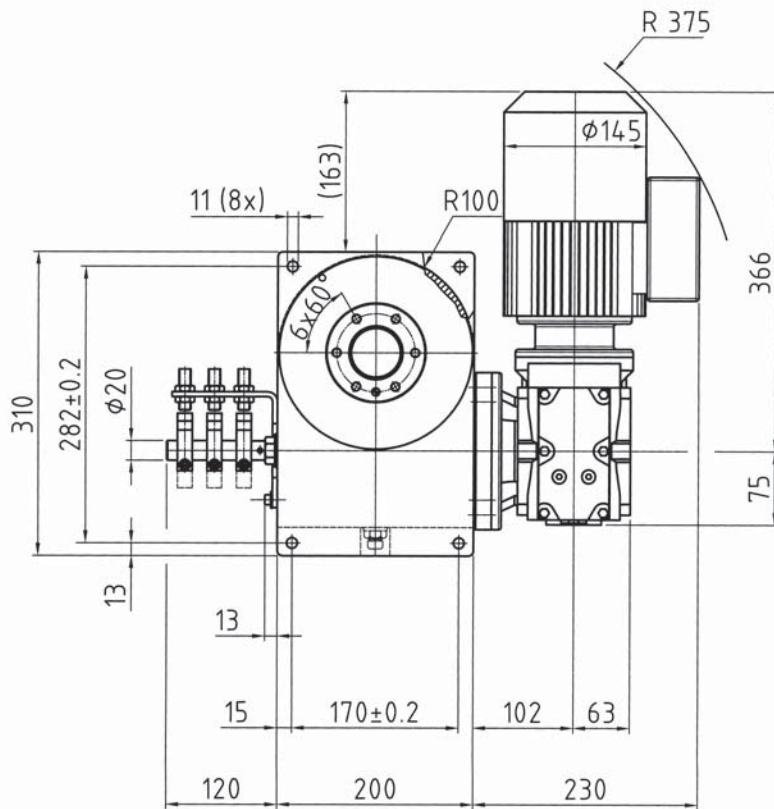


EGD100

with SEW SAF47-DR71DAB – 0,37 kW



Detail: X



Detail: Y

All tolerances other than specified refer to DIN ISO 2768-mittel (medium)

Note: Installation with horizontal rotation axis and other motors with transmission brake upon request.